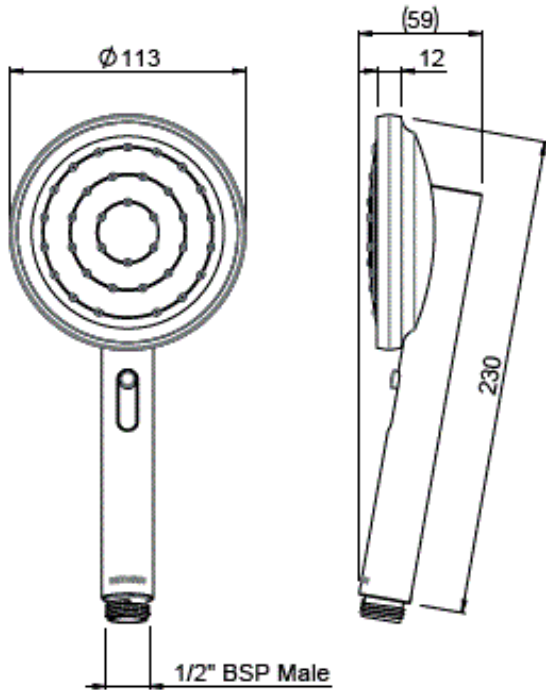


VJET HAND SHOWER - CHROME



CONSTRUCTION: N/A
SUPPLY: Suitable For High Pressure Systems
INLET CONNECTIONS: 1/2" BSP
WORKING PRESSURES: 1.0 - 5.0 bar
CARTRIDGE/VALVE TYPE: N/A

- Premium Quality Flow Regulators Deliver A Consistent Flow Of Water Under A Range Of Water Pressures
- Vjet® Technology Delivers Variable Spray At Your Control
- Rub-Clean Silicon Nozzles For Ease Of Cleaning

VJHS01CP

Chrome

Open Outlet Flow (Bar - l/min)

BAR	0.1	0.3	0.5	1.0	2.0	3.0	4.0	5.0
HANDSET FLOW	2.8	4.1	5.4	7.7	9.7	9.7	0	0



Please Note: Flow rate will be dictated by installation configurations.
 Please ensure to check the appropriate flow restrictor information if applicable.
 *Please refer to website for full warranty details.

FREEPHONE: 0800 195 1602 | FAX ORDERS: 08444 068 690 | EMAIL: SALES@UK.METHVEN.COM

methven.com

THE INFORMATION ON THIS SPECIFICATION DOCUMENT WAS CORRECT AT THE DATE OF ISSUE. SOME VARIATION MAY OCCUR DUE TO THE MANUFACTURING TOLERANCES AND SITE SPECIFIC CONDITIONS.