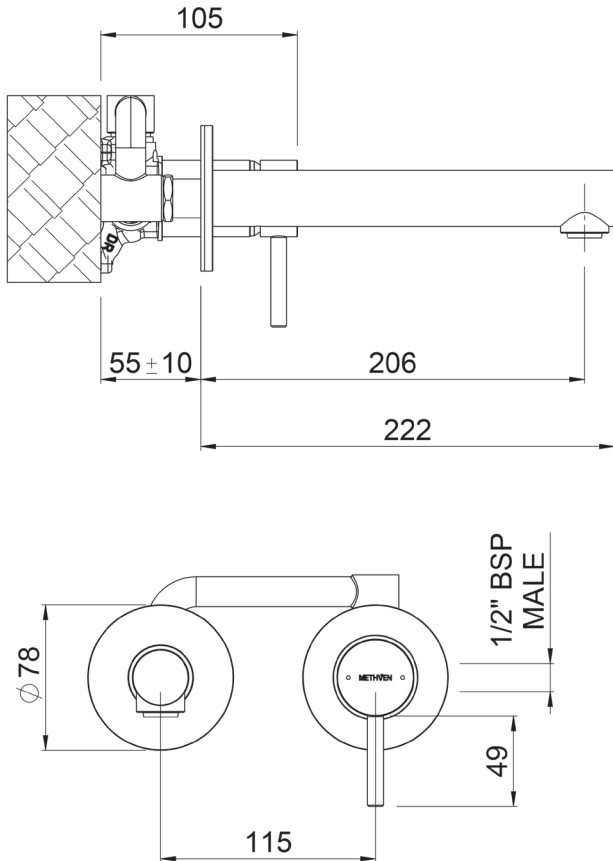


## TUROA WALL MOUNTED BASIN MIXER WITH SPOUT



**CONSTRUCTION:** Stainless Steel, Brass and Plastic  
**CARTRIDGE/VALVE TYPE:** Ceramic cartridge  
**SUPPLY:** Suitable For High Pressure Systems  
**INLET CONNECTIONS:** 1/2" BSP  
**WORKING PRESSURES:** 1.5 - 5.0 bar  
**OPERATION:** Tilt And Turn Temperature And Flow Control

- Manufactured From 304 Grade Stainless Steel & Lead Free Brass
- 35Mm Ceramic Disc Cartridge
- Asd Aerator Included For Optimised Water Stream Direction
- Quick-Fit Connector On Spout
- Includes Wall Breech - Left-Hand Outlet Only
- 20Mm Installation Tolerance
- 200Mm Spout For Wide Range Of Bath Specifications

### TUWBSS

### Stainless Steel

#### Open Outlet Flow (Bar - l/min)

BAR	0.1	0.3	0.5	1.0	2.0	3.0	4.0	5.0
<b>SPOUT FLOW</b>	0	3.1	4.1	5.4	7	7.2	7	7.1



Please Note: Flow rate will be dictated by installation configurations.  
 Please ensure to check the appropriate flow restrictor information if applicable.  
 \*Please refer to website for full warranty details.

**FREEPHONE: 0800 195 1602 | FAX ORDERS: 08444 068 690 | EMAIL: SALES@UK.METHVEN.COM**

[methven.com](http://methven.com)

THE INFORMATION ON THIS SPECIFICATION DOCUMENT WAS CORRECT AT THE DATE OF ISSUE. SOME VARIATION MAY OCCUR DUE TO THE MANUFACTURING TOLERANCES AND SITE SPECIFIC CONDITIONS.