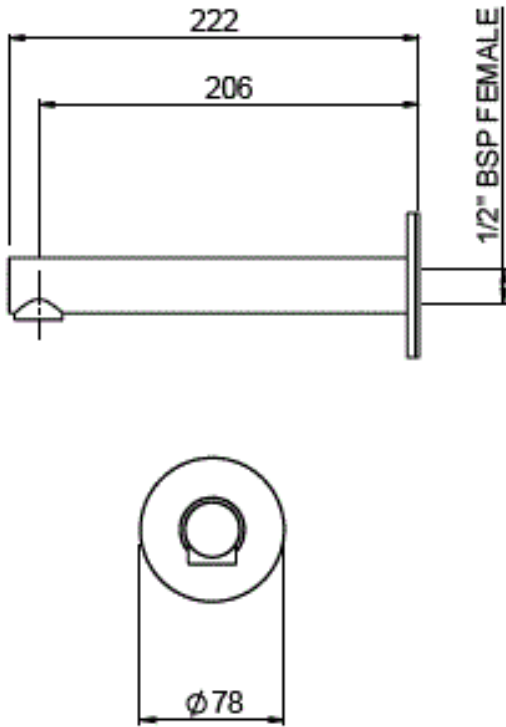


## TUROA WALL MOUNTED BATH SPOUT



**CONSTRUCTION:** Stainless Steel, Brass and Plastic

**CARTRIDGE/VALVE TYPE:** N/A

**SUPPLY:** Suitable For Low Pressure Systems

**INLET CONNECTIONS:** 1/2" BSP

**WORKING PRESSURES:** 0.35 - 5.0 bar

**OPERATION:** N/A

- Manufactured From 304 Grade Stainless Steel & Lead Free Brass
- Quick-Fit Connector
- 200Mm Spout For Wide Range Of Bath Specifications

TUSPWBTS

Stainless Steel

### Open Outlet Flow (Bar - l/min)

BAR	0.1	0.3	0.5	1.0	2.0	3.0	4.0	5.0
<b>SPOUT FLOW</b>	0	14.2	18.6	26.2	37.6	40.8	0	0



Please Note: Flow rate will be dictated by installation configurations.  
 Please ensure to check the appropriate flow restrictor information if applicable.  
 \*Please refer to website for full warranty details.

**FREEPHONE: 0800 195 1602 | FAX ORDERS: 08444 068 690 | EMAIL: SALES@UK.METHVEN.COM**

methven.com

THE INFORMATION ON THIS SPECIFICATION DOCUMENT WAS CORRECT AT THE DATE OF ISSUE. SOME VARIATION MAY OCCUR DUE TO THE MANUFACTURING TOLERANCES AND SITE SPECIFIC CONDITIONS.