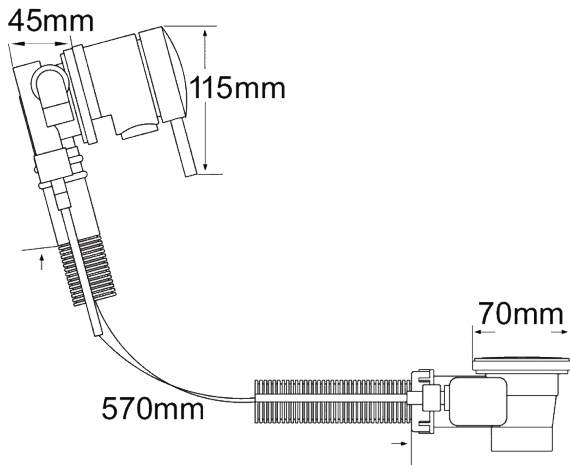


## TŪROA 1½" BATH FILL AND OVERFLOW WASTE



CONSTRUCTION: Stainless Steel

· Stainless steel

PUW206SS

Stainless Steel

### Open Outlet Flow (Bar-l/min)

BAR	0.1	0.3	0.5	1.0	2.0	3.0
FLOW	6.0	9.8	12.8	18.9	26.9	32.6



\*Please refer to website for full warranty details.

FREEPHONE: 0800 195 1602 | FAX ORDERS: 08444 068 690 | EMAIL: SALES@UK.METHVEN.COM

methven.com

THE INFORMATION ON THIS SPECIFICATION DOCUMENT WAS CORRECT AT THE DATE OF ISSUE. SOME VARIATION MAY OCCUR DUE TO THE MANUFACTURING TOLERANCES AND SITE SPECIFIC CONDITIONS.