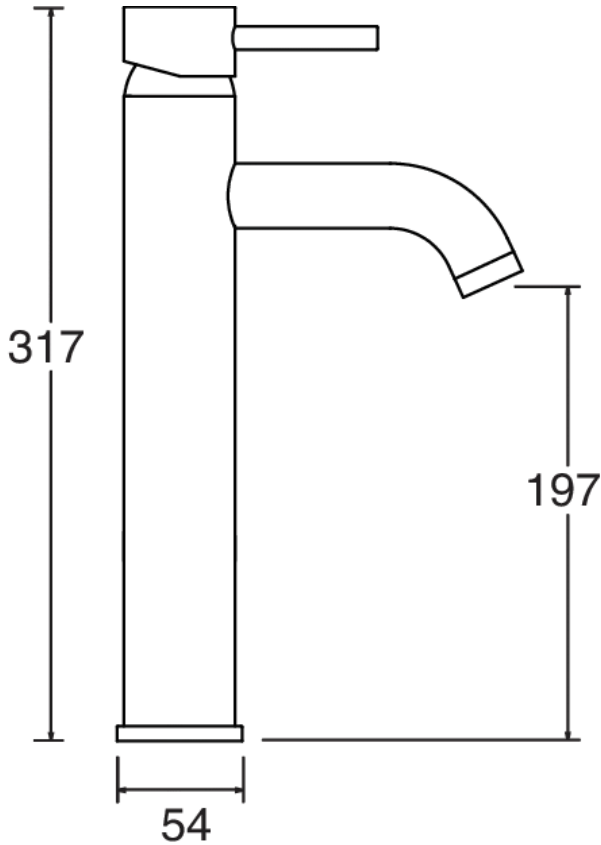


MOTU TALL MIXER - BRUSHED BRASS



CONSTRUCTION: Brass

CARTRIDGE/VALVE TYPE: ¼ Turn Ceramic Disc

SUPPLY: Suitable For All Plumbing Systems

INLET CONNECTIONS: ½" BSP

WORKING PRESSURES: 0.3 - 5.0 bar

OPERATION: Tilt And Turn Temperature And Flow Control

- On Trend Brushed Brass Finish For A Designer Look
- Contemporary Single Lever Design
- Ceramic Cartridge For Smooth Operation
- Fitted With A 4 L/Min Flow Regulator
- Slim Stream Aerator With Directional Swivel
- Products Which Are Easy To Use By All The Family

MTTBBB

Brushed Brass

Open Outlet Flow (Bar - l/min)

BAR	0.1	0.3	0.5	1.0	2.0	3.0	4.0	5.0
SPOUT FLOW	1.3	1.7	2.1	2.9	3.8	3.5	3.3	3.4



2110705



2110316



Please Note: Flow rate will be dictated by installation configurations.
Please ensure to check the appropriate flow restrictor information if applicable.

*Please refer to website for full warranty details.

FREEPHONE: 0800 195 1602 | FAX ORDERS: 08444 068 690 | EMAIL: SALES@UK.METHVEN.COM

methven.com

THE INFORMATION ON THIS SPECIFICATION DOCUMENT WAS CORRECT AT THE DATE OF ISSUE. SOME VARIATION MAY OCCUR DUE TO THE MANUFACTURING TOLERANCES AND SITE SPECIFIC CONDITIONS.