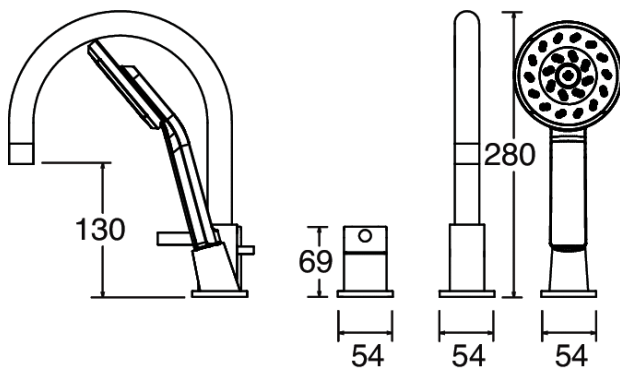


MOTU 3 TAP HOLE BATH SHOWER MIXER CHROME



- Chrome
- Matte Black
- PVD Brushed Brass
- PVD Gunmetal
- PVD Brushed Nickel



CONSTRUCTION: Brass

CARTRIDGE/VALVE TYPE: Ceramic Disc

SUPPLY: Suitable For All Plumbing Systems

INLET CONNECTIONS: 3/4" BSP

WORKING PRESSURES: 0.3 - 5.0 bar

OPERATION: Separate Flow And Temperature Controls

- Contemporary single lever design
- Complete with Kiri Satinjet handset regulated to 8 l/minute
- Water efficient without compromising showering performance
- Ceramic disc handles ensure a smooth operation
- Products which are easy to use by all the family

MT₃BSMCP

Open Outlet Flow (Bar - l/min)

BAR	0.3	0.5	1.0	2.0	3.0	4.0	5.0
SPOUT FLOW	12.6	17.2	24	34	41.8	47.6	52.8
HANDSET FLOW	8	8	8	8	8	8	8

Chrome



2202706

2203303



Please Note: Flow rate will be dictated by installation configurations.
Please ensure to check the appropriate flow restrictor information if applicable.
*Please refer to website for full warranty details.

FREEPHONE: 0800 195 1602 | FAX ORDERS: 08444 068 690 | EMAIL: SALES@UK.METHVEN.COM

methven.com

THE INFORMATION ON THIS SPECIFICATION DOCUMENT WAS CORRECT AT THE DATE OF ISSUE. SOME VARIATION MAY OCCUR DUE TO THE MANUFACTURING TOLERANCES AND SITE SPECIFIC CONDITIONS.