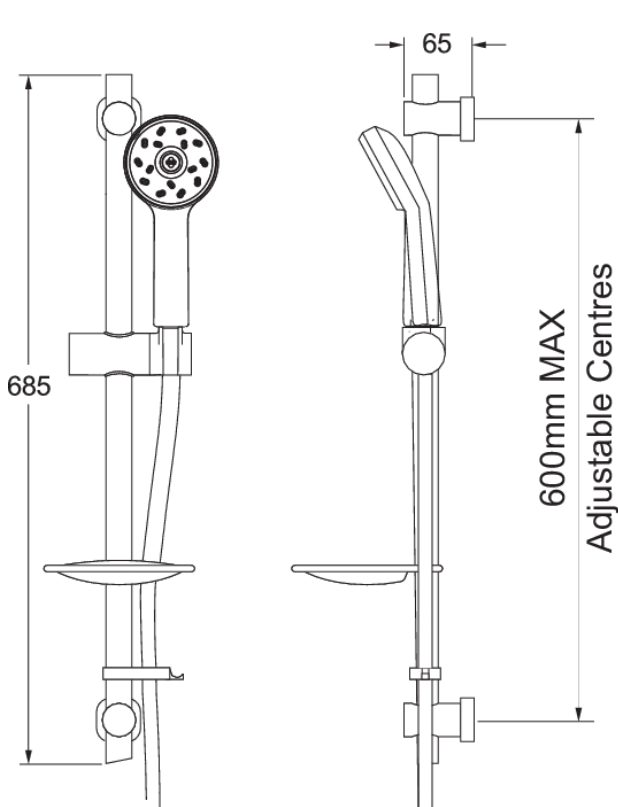


MAKU EASY FIT SHOWER KIT



CONSTRUCTION: ABS

SUPPLY: Suitable For High Pressure Systems

INLET CONNECTIONS: 1/2" BSP

WORKING PRESSURES: 1.0 - 5.0 bar

CARTRIDGE/VALVE TYPE: N/A

- Suitable For All Showers
- Ideal For Use With Electric Showers
- Easy To Fit Shower Rail - Simply Twist And Lock Brackets Into Place
- Smooth Easy Clean 1.5M Hose
- Includes Maku Satinjet Handset
- Supplied With 8L/Min Flow Regulator
- Ideal For Retrofit - Using Existing Shower Rail Holes
- Lifetime Warranty On Handset

EKITo4-M

Open Outlet Flow (Bar - l/min)

BAR	0.3	0.5	1.0	2.0	3.0	4.0	5.0
HANDBSET FLOW	5	6.4	7.8	7.7	8.3	0	0

Chrome & Graphite



2009907



Please Note: Flow rate will be dictated by installation configurations.
Please ensure to check the appropriate flow restrictor information if applicable.
*Please refer to website for full warranty details.

FREEPHONE: 0800 195 1602 | FAX ORDERS: 08444 068 690 | EMAIL: SALES@UK.METHVEN.COM

methven.com

THE INFORMATION ON THIS SPECIFICATION DOCUMENT WAS CORRECT AT THE DATE OF ISSUE. SOME VARIATION MAY OCCUR DUE TO THE MANUFACTURING TOLERANCES AND SITE SPECIFIC CONDITIONS.