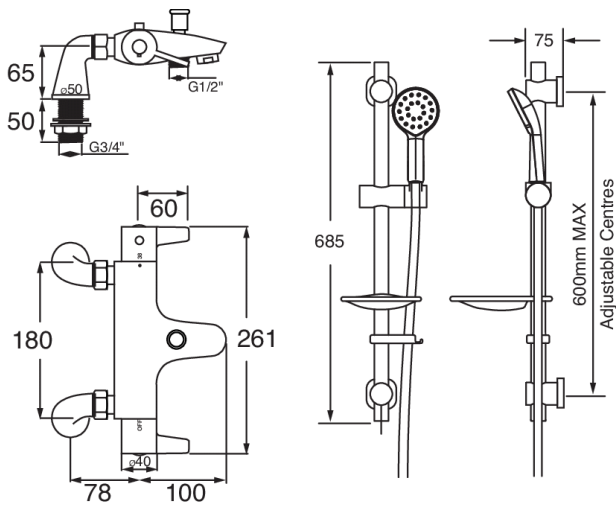


AVOCA THERMOSTATIC BATH SHOWER MIXER RAIL KIT - KIRI MK2



CONSTRUCTION: Brass & ABS

CARTRIDGE/VALVE TYPE: Thermostatic

SUPPLY: Suitable For High Pressure Systems

INLET CONNECTIONS: 3/4" BSP

WORKING PRESSURES: 0.5 - 5.0 bar

OPERATION: Separate Flow And Temperature Controls

- Easy to use large paddle levers for ease of operation
- Water Efficient Without Compromising Performance
- Optimised to perform at 8lpm, saving water and energy
- Satinjet® Technology Twin Jets Of Water Collide Into Thousands Of Tiny Droplets To Deliver Voluminous Shower Coverage
- Thermostatic Valve With 38°C Temperature Stop (With Override)
- Riser Rail Features Easy Fit Adjustable Brackets- Simply Twist & Lock Into Place
- Ideal For Retrofit - Using Existing Shower Rail Holes
- Satinjet® Kiri MK2 Handset Comes With Lifetime Warranty

AVTBSMEF

Chrome

Open Outlet Flow (Bar - l/min)

BAR	0.1	0.3	0.5	1.0	2.0	3.0	4.0	5.0
SPOUT FLOW	3.7	6.1	8.3	12.2	17.4	21.4	24.7	27.7
HANDSET FLOW	1.6	3.3	4.6	7	8.5	8.2	8.5	8.6



Please Note: Flow rate will be dictated by installation configurations.
Please ensure to check the appropriate flow restrictor information if applicable.
*Please refer to website for full warranty details.



2308970

FREEPHONE: 0800 195 1602 | FAX ORDERS: 08444 068 690 | EMAIL: SALES@UK.METHVEN.COM

methven.com

THE INFORMATION ON THIS SPECIFICATION DOCUMENT WAS CORRECT AT THE DATE OF ISSUE. SOME VARIATION MAY OCCUR DUE TO THE MANUFACTURING TOLERANCES AND SITE SPECIFIC CONDITIONS.