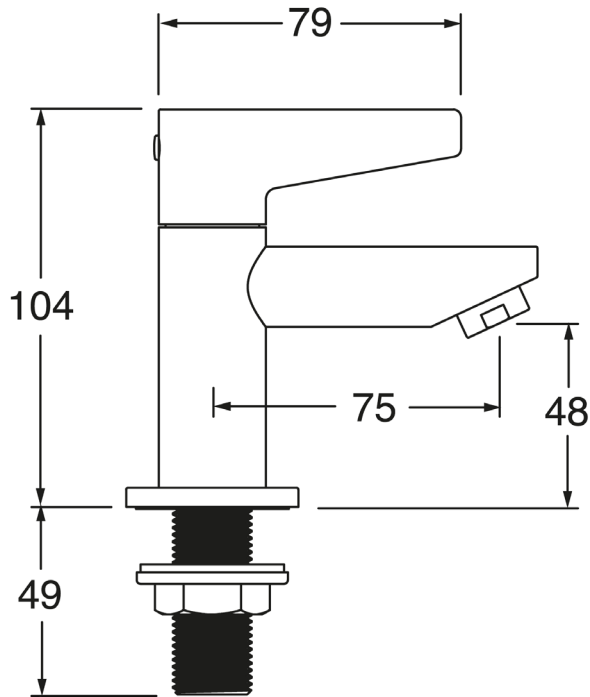


AVOCA BASIN TAPS



CONSTRUCTION: Brass
CARTRIDGE/VALVE TYPE: ¼ Turn Ceramic Disc
SUPPLY: Suitable For Low Pressure Systems
INLET CONNECTIONS: ½" BSP
WORKING PRESSURES: 0.3 - 5.0 bar
OPERATION: Separate Handles For Hot & Cold Control

Suitable For High & Low Pressure Systems
 ¼ Turn Ceramic Disc
 Coloured H & C Temperature Indicator
 Single Flow Taps
 Pre-Fitted Flow Straightener
 Flow regulated to 4lpm
 Easy to use long lever handles
 Brass Backnuts

AVBTCP

Chrome

Open Outlet Flow (Bar - l/min)

| BAR | 0.1 | 0.3 | 0.5 | 1.0 | 2.0 | 3.0 | 4.0 | 5.0 |
|-------------------|-----|-----|-----|-----|-----|-----|-----|------|
| SPOUT FLOW | 1.1 | 2.1 | 2.8 | 3.6 | 3.8 | 3.9 | 4 | 4.07 |



240104010



Please Note: Flow rate will be dictated by installation configurations.
 Please ensure to check the appropriate flow restrictor information if applicable.
 *Please refer to website for full warranty details.

FREEPHONE: 0800 195 1602 | FAX ORDERS: 08444 068 690 | EMAIL: SALES@UK.METHVEN.COM

methven.com

THE INFORMATION ON THIS SPECIFICATION DOCUMENT WAS CORRECT AT THE DATE OF ISSUE. SOME VARIATION MAY OCCUR DUE TO THE MANUFACTURING TOLERANCES AND SITE SPECIFIC CONDITIONS.