

Warranty Information

Proof of purchase will be required.

The guarantee does not cover faults or damage caused by incorrect installation and/or maintenance, ordinary wear and tear, water composition, etc.

*Please see www.methven.com for full terms and conditions of warranty

Cleaning

Your product has a high-quality finish and should be treated with care to preserve the visible surfaces. Never use abrasives or abrasive cleaning agents to clean this product clean regularly with contamination free warm water and a damp soft cloth. Do not use products containing chlorine bleach or hydrochloric acid as these can damage the product.

We have a policy of continuous improvement and reserve the right to change specifications without notice.

METHVEN UK LIMITED
METHVEN EXPERIENCE CENTRE
3/3A STONE CROSS COURT
YEW TREE WAY
GOLBORNE
WARRINGTON
WA3 3JD
UNITED KINGDOM

INST-AVBTCP
V1 21.03.2024

TEL: 0800 195 1602
FAX: 0844 406 8690
EMAIL: sales@uk.methven.com
www.deva-uk.com
www.methven.com

Avoca Basin Taps - Pair

Chrome

AVBTCP

Installation Guide

Technical Specification

Working Pressure:

Min: 0.3 Bar

Max: 5.0 Bar

Operating Temperature:

Hot: 65°C

Cold: 5°C

Inlet Connections:

½" BSP

Features:

- Suitable For High & Low Pressure Systems
- ¼ Turn ceramic disc
- Brass backnuts
- Waste not included
- Features water saving 4lpm flow regulation within the aerator



METHVEN
www.methven.com EST 1886

Please keep these instructions for future reference and request of replacement parts

Contents

General Safety Information	3
Line Drawing	3
Product Breakdown	4
Product Breakdown	4
Installation Requirements	6
Installation	6
Troubleshooting	7
Warranty Information	8
Cleaning	8

Symptom	Cause(s)	Resolution
Basin tap not turning on	Mains water supply turned off	Turn on the mains water supply
	Closed isolation valve	Open isolation valve
Low flow rate/no flow	Water supply failure	Investigate water supply, check plumbing and heating system for any faults
	Partially closed isolation valve	Open isolation valve
	Air lock or partial blockage in the supply pipework or hoses	Flush through pipework to ensure removal of debris and any airlocks
	Water being drawn off elsewhere causing pressure changes or instantaneous boiler temperature changes. Ensure minimum pressure is being met.	Try not to use other water outlets when using the basin tap
Water dripping from the basin tap	This is normal for a short time after using the basin tap	This is due to residual water tension, the build up of water in the basin tap spout
	If water continues to drip, possible issue with the flow control cartridge.	Please contact our customer care team
Movement of fitted basin tap	Back nuts loose	Ensure Back nuts are sufficiently tightened
	Extra support may be required depending on the surface the tap is fitted to.	Please contact customer care to purchase top hat washers.

Installation Requirements

Before commencing installation of the new product, ensure that the system has been flushed to remove any debris, which could cause damage to the valves and invalidate the warranty.

Installation

- 1, Remove the metal backnut (16) and backnut washer (15) from the ½” BSP threaded connection (14).
- 2, Place the threaded connection (14) through the hole in the basin and position, so as to direct flow correctly, ensuring the hot tap is positioned on the left hand side and the cold tap is positioned on the right hand side.
- 3, Place backnut washer (15) onto threaded connection (14) between basin unit and backnut (16).
- 4, Tighten the backnut (16) to secure the basin tap to basin, do not over tighten as this may damage the nut or the unit.
- 5, Before fully tightening, ensure the tap is still positioned correctly.
- 6, Once secured connect the supply pipe and tighten to create a good seal.
- 7, Turn on water supply and check for leaks.

General Safety Information

Please read all of the instructions before installation.

Methven recommends this product is installed by a competent person in compliance with all relevant regional regulations.

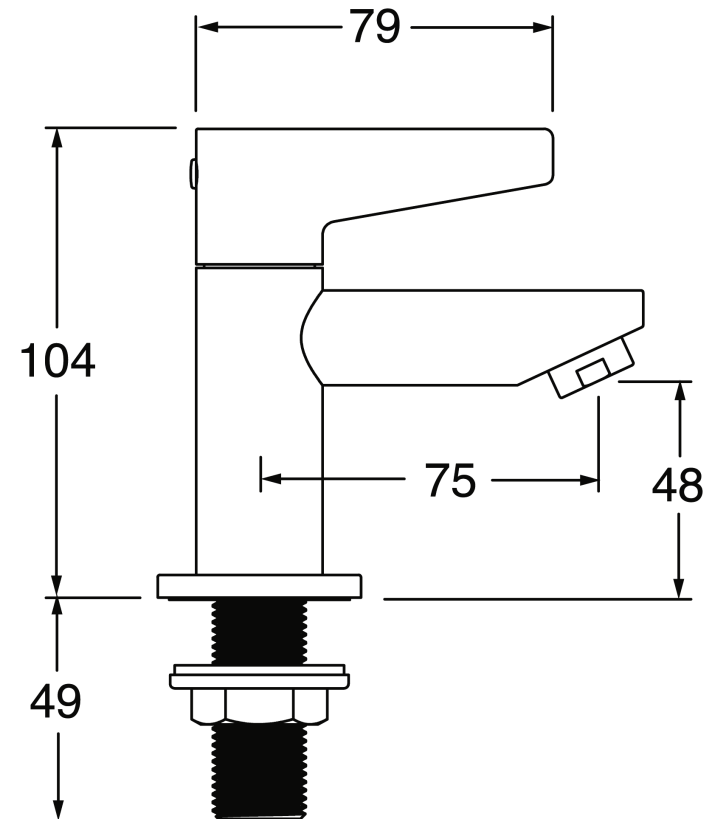
Remove all packaging and check the components for damage before starting installation.

This product **must** not be modified in any way as this will invalidate the guarantee.

It is the responsibility of the installer to ensure a waterproof seal is achieved, after installation all connections must be checked for leaks.

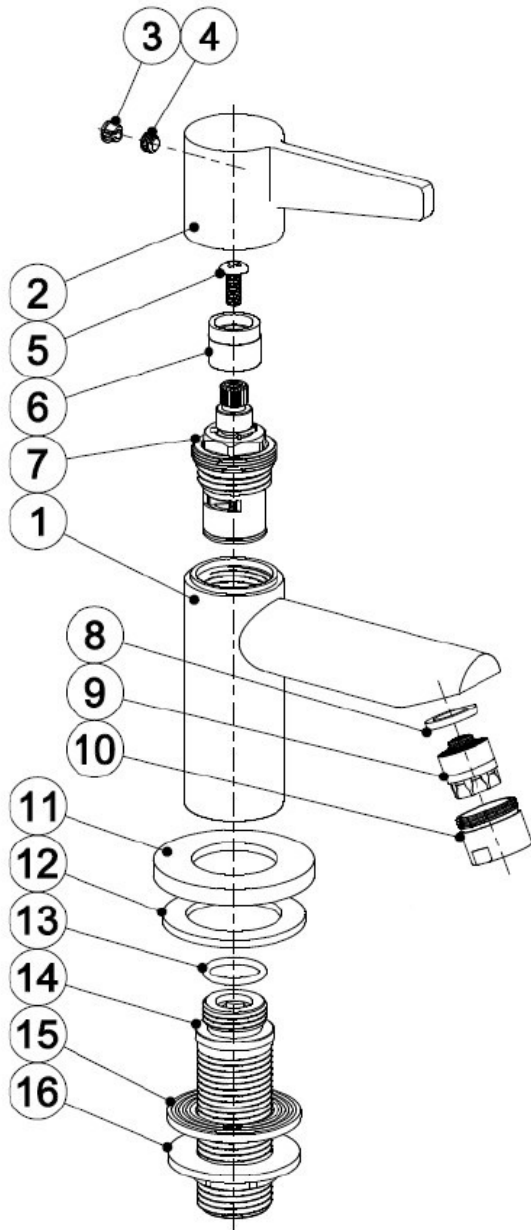
All outlets used primarily for personal hygiene shall deliver water at a safe temperature as per regional regulations.

Line Drawing



Product Breakdown

Check all components are present prior to starting installation.



- 1 Basin Tap Body
- 2 Handle
- 3 Grub Screw
- 4 Grub Screw Cap
- 5 Screw
- 6 Cartridge Cover
- 7 1/4 Turn Ceramic Disc
- 8 Washer
- 9 Aerator
- 10 Aerator Housing
- 11 Base Plate
- 12 Base Plate Washer
- 13 O-Ring
- 14 1/2" BSP Threaded Connection
- 15 Backnut Washer
- 16 Backnut Metal

Features 4lpm flow regulation within the aerator